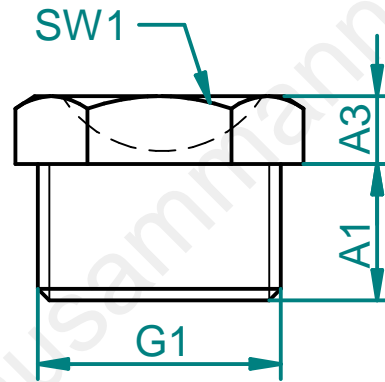



General tolerances ISO 2768-m						Index	Date	Visum	Modification	Index	Date	Visum	Modification
Basic-size	...6	> 6 ...30	> 30 ...120	>120 ...400	> 400 ...1000								
medium	±0.1	±0.2	±0.3	±0.5	±0.8								



Specifications points D,K,H	
D= doc.points	
K= critical	
H= main	

		Material:									
		Stahl verzinkt									
		Scale									
		3:1									
		<table border="1"> <tr> <th>Date</th> <th>Visum</th> <th>Phone</th> </tr> <tr> <td>27.06.11</td> <td>E.Z</td> <td></td> </tr> </table>		Date	Visum	Phone	27.06.11	E.Z			
Date	Visum	Phone									
27.06.11	E.Z										
		<table border="1"> <tr> <th>plotted</th> <th>checked</th> </tr> <tr> <td></td> <td></td> </tr> </table>		plotted	checked						
plotted	checked										
		04.020									
		Solid Edge		Format Index							
		A4		00							
<small>Accord-draw.no.: Origin-draw.no.: Replacement for:</small>		 HAUSAMMANN KOMponenten PRODUKTION SYSTEME		<small>© 2010, Für dieses Dokument behalten wir uns alle Rechte vor. © 2010, Nous nous reservons tous les droits sur ce document © 2010, We reserve all rights in connection with this document</small>							